

LodeRailTM

WORK AREA JIB CRANES



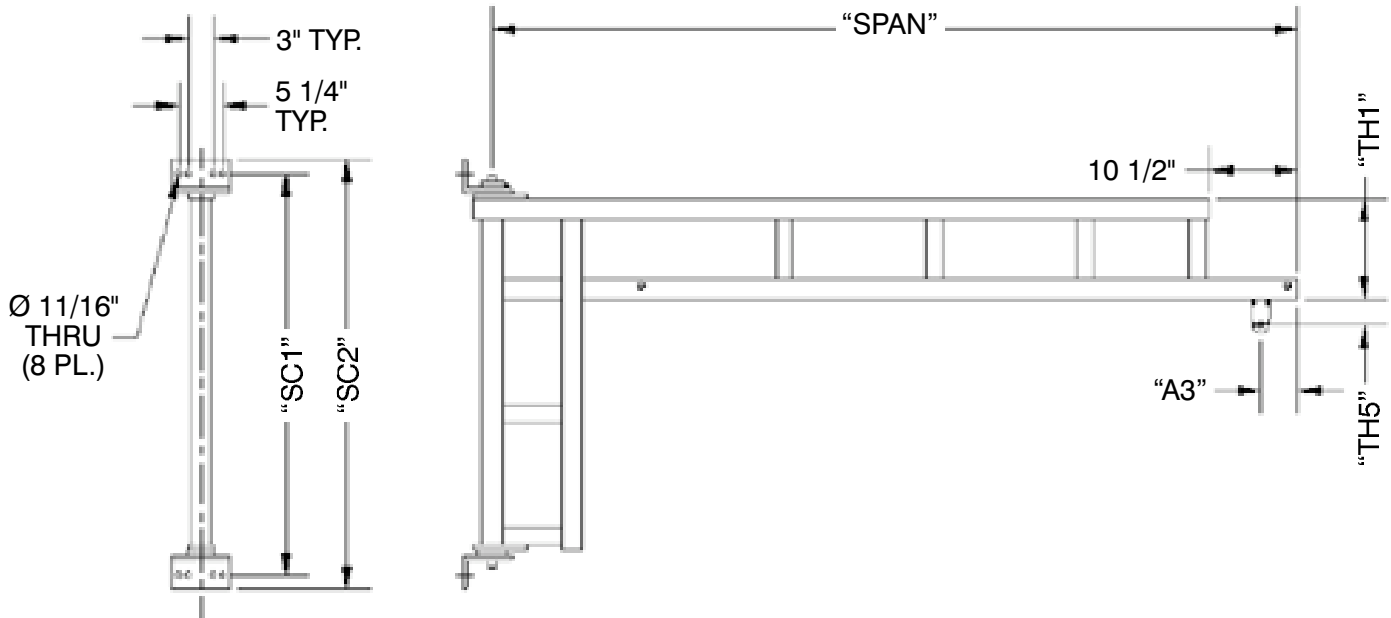
WALL MOUNTED JIB CRANE DIMENSIONS

MODEL NUMBER	CAPACITY (lbs.)	SPAN (ft.)	TH1 (in.)	TH5 (in.)	A3 (in.)	SC1 (ft.)	SC2 (ft.-in.)	STRUCTURAL LOADING THRUST/PULL FORCE (lbs.)	WEIGHT (lbs.)	PRICE
100-WBJ-4	100#	4'	4 1/4"	2 5/8"	4 5/8"	3'	3'-3 1/2"	184#	115#	\$514
100-WBJ-6	100#	6'	4 1/4"	2 5/8"	4 5/8"	3'	3'-3 1/2"	287#	130#	\$535
100-WBJ-8	100#	8'	9 5/8"	2 5/8"	4 5/8"	3'	3'-3 1/2"	413#	165#	\$579
100-WBJ-10	100#	10'	9 5/8"	2 5/8"	4 5/8"	3'	3'-3 1/2"	539#	185#	\$609
100-WBJ-12	100#	12'	12 5/8"	2 5/8"	4 5/8"	4'	4'-3 1/2"	520#	220#	\$737
100-WBJ-14	100#	14'	12 5/8"	2 5/8"	4 5/8"	4'	4'-3 1/2"	630#	240#	\$773
100-WBJ-16	100#	16'	12 5/8"	2 5/8"	4 5/8"	4'	4'-3 1/2"	747#	260#	\$814
150-WBJ-4	150#	4'	4 1/4"	2 5/8"	4 5/8"	3'	3'-3 1/2"	251#	115#	\$544
150-WBJ-6	150#	6'	4 1/4"	2 5/8"	4 5/8"	3'	3'-3 1/2"	387#	130#	\$567
150-WBJ-8	150#	8'	9 5/8"	2 5/8"	4 5/8"	3'	3'-3 1/2"	547#	165#	\$589
150-WBJ-10	150#	10'	9 5/8"	2 5/8"	4 5/8"	3'	3'-3 1/2"	706#	185#	\$706
150-WBJ-12	150#	12'	12 5/8"	2 5/8"	4 5/8"	4'	4'-3 1/2"	670#	220#	\$751
150-WBJ-14	150#	14'	15 5/8"	2 5/8"	4 5/8"	5'	5'-3 1/2"	691#	290#	\$842
150-WBJ-16	150#	16'	15 5/8"	2 5/8"	4 5/8"	5'	5'-3 1/2"	843#	340#	\$860
250-WBJ-4	250#	4'	4 1/4"	2 5/8"	4 5/8"	3'	3'-3 1/2"	384#	115#	\$574
250-WBJ-6	250#	6'	9 5/8"	2 5/8"	4 5/8"	3'	3'-3 1/2"	593#	140#	\$660
250-WBJ-8	250#	8'	9 5/8"	2 5/8"	4 5/8"	3'	3'-3 1/2"	813#	165#	\$685
250-WBJ-10	250#	10'	12 5/8"	2 5/8"	4 5/8"	4'	4'-3 1/2"	792#	200#	\$740
250-WBJ-12	250#	12'	15 5/8"	2 5/8"	4 5/8"	5'	5'-3 1/2"	808#	260#	\$789
250-WBJ-14	250#	14'	15 5/8"	2 5/8"	4 5/8"	5'	5'-3 1/2"	983#	303#	\$858
250-WBJ-16	250#	16'	15 5/8"	2 5/8"	4 5/8"	5'	5'-3 1/2"	1157#	335#	\$898
500-WBJ-4	500#	4'	9 5/8"	2 5/8"	4 5/8"	3'	3'-3 1/2"	722#	125#	\$675
500-WBJ-6	500#	6'	9 5/8"	2 5/8"	4 5/8"	3'	3'-3 1/2"	1100#	150#	\$717
500-WBJ-8	500#	8'	12 5/8"	2 5/8"	4 5/8"	4'	4'-3 1/2"	1127#	190#	\$740
500-WBJ-10	500#	10'	12 5/8"	2 5/8"	4 5/8"	4'	4'-3 1/2"	1429#	215#	\$797
500-WBJ-12	500#	12'	15 5/8"	2 5/8"	4 5/8"	5'	5'-3 1/2"	1408#	260#	\$816
500-WBJ-14	500#	14'	18 1/8"	2 5/8"	4 5/8"	5'	5'-3 1/2"	1764#	390#	\$1,194
500-WBJ-16	500#	16'	18 1/8"	2 5/8"	4 5/8"	5'	5'-3 1/2"	2048#	420#	\$1,311
1000-WBJ-4	1000#	4'	9 5/8"	3 3/16"	5 1/2"	3'	3'-3 1/2"	1391#	130#	\$731
1000-WBJ-6	1000#	6'	9 5/8"	3 3/16"	5 1/2"	3'	3'-3 1/2"	2107#	160#	\$771
1000-WBJ-8	1000#	8'	12 5/8"	3 3/16"	5 1/2"	4'	4'-3 1/2"	2140#	210#	\$795
1000-WBJ-10	1000#	10'	12 5/8"	3 3/16"	5 1/2"	5'	5'-3 1/2"	2733#	280#	\$886
1000-WBJ-12	1000#	12'	17"	3 3/16"	5 1/2"	5'	5'-3 1/2"	2648#	310#	\$917
1000-WBJ-14	1000#	14'	18 5/8"	3 3/16"	5 1/2"	6'	6'-3 1/2"	3313#	550#	\$1,578
1000-WBJ-16	1000#	16'	18 5/8"	3 3/16"	5 1/2"	6'	6'-3 1/2"	3840#	600#	\$1,731

Dimensions are approximate and may change without notice.



WALL MOUNTED JIB CRANE



WORK AREA JIB CRANE OPTIONS – FREE STANDING & WALL MOUNTED

Item	Part Number	Price	Option
1	LT-ROTST	\$71.00/SET	Manual Rotation Stops: Free Standing Series Only. Two pieces shipped loose for field welding.
2	02FT (250#) 05FT (500#) 10FT (1000#)	\$28.00 ea. \$28.00 ea. \$32.00 ea.	Festoon Trolley: for use with 4 - conductor flat cable, round cable or air hose, for 250, 500 or 1000# track series.
3	02VHFT 05VHFT 10VHFT	\$36.00 ea. \$36.00 ea. \$36.00 ea.	Vacuum Hose Trolley: for use with vacuum hose for 250# track series. (specify hose dia.) Vacuum Hose Trolley: for use with vacuum hose for 500# track series. (specify hose dia.) Vacuum Hose Trolley: for use with vacuum hose for 1000# track series. (specify hose dia.)
4	LT-BECOL	\$764.00	Bottom Entry Collector Ring Assembly (3-Ring): for 360° rotation. Includes collector ring assembly, #14-4 wire through mast, proper number of festoon trolleys, and flat cable.
5	LT-BECOL-AIR	\$578.00	Bottom Entry Air Swivel (360° rotation) internally piped 1/2" diameter airline (has male NPT threads at bottom of mast, and at top of pivot assembly), includes proper number of festoon trolleys and 1/2" dia. air hose.

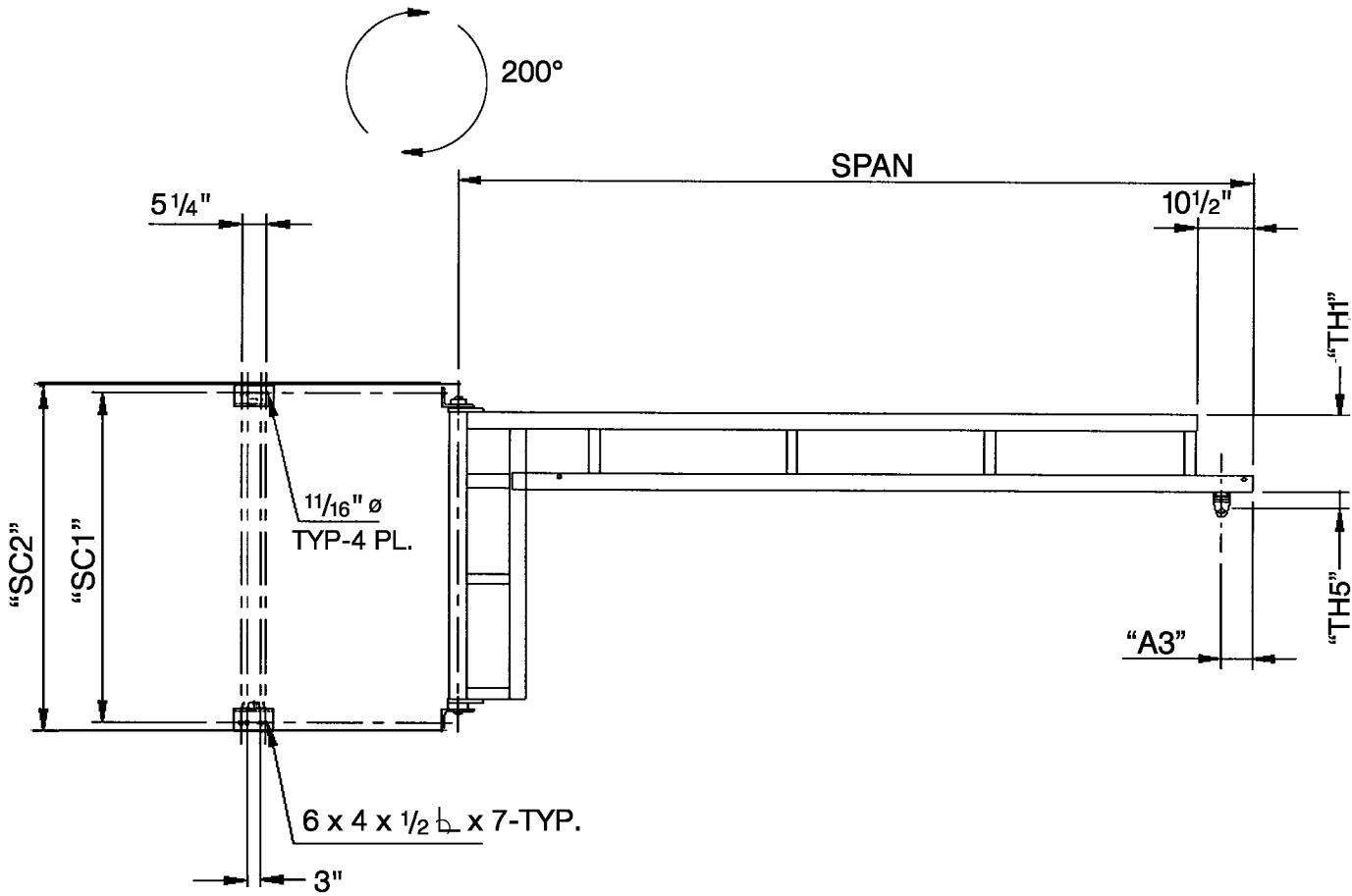
STANDARD HOIST TROLLEY IS INCLUDED.

FESTOONING IS ADDITIONAL

10% CHARGE FOR NON-STANDARD LENGTHS



WALL MOUNTED JIB CRANE



CAPACITY: _____ MODEL NO.: _____

JIB WEIGHT: _____ SPAN: _____ ROTATION: _____

TH5: _____ A3: _____ SC1: _____ SC2: _____

TH1: _____

CUSTOMER: _____

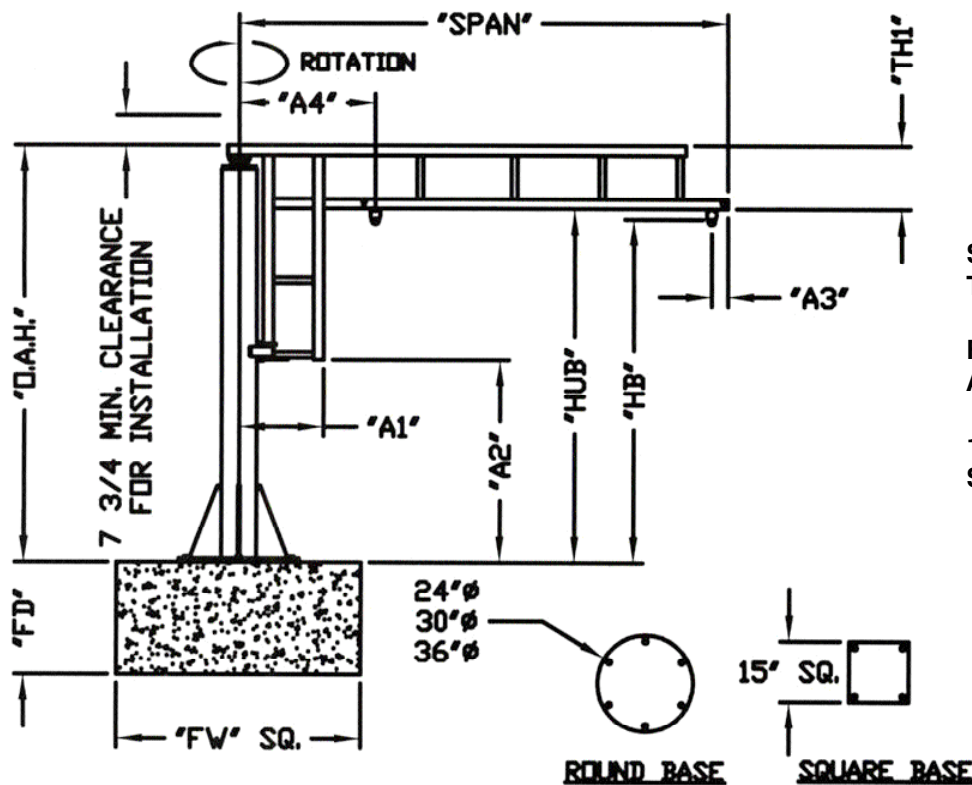
ADDRESS: _____



100# BASE MOUNTED JIB CRANE DIMENSIONS

MODEL NUMBER	HUB (ft.)	SPAN (ft.)	OAH (in.)	TH1 (in.)	HB (in.)	A1 (in.)	A2 (in.)	A3 (in.)	A4 (in.)	BASE PLATE SIZE W/ # & BOLT DIA.	FW (in.)	FD (in.)	WEIGHT (lbs.)	PRICE
100-BMJ-8-4	8'	4'	100 7/8"	4 7/8"	93 3/8"	11"	71 1/4"	4 1/8"	17 7/8"	15" SQ. 4 @ 1"	36"	6"	340#	\$1,148
100-BMJ-8-6	8'	6'	100 7/8"	4 7/8"	93 3/8"	11"	71 1/4"	4 1/8"	17 7/8"	15" SQ. 4 @ 1"	36"	6"	360#	\$1,167
100-BMJ-8-8	8'	8'	105 5/8"	9 5/8"	93 3/8"	15"	76"	4 1/8"	24 7/8"	15" SQ. 4 @ 1"	36"	6"	390#	\$1,201
100-BMJ-8-10	8'	10'	105 5/8"	9 5/8"	93 3/8"	15"	76"	4 1/8"	24 7/8"	15" SQ. 4 @ 1"	36"	6"	410#	\$1,221
100-BMJ-8-12	8'	12'	108 5/8"	12 5/8"	93 3/8"	18"	67"	4 1/8"	27 7/8"	24" RD. 6 @ 1"	48"	6"	445#	\$1,264
100-BMJ-8-14	8'	14'	108 5/8"	12 5/8"	93 3/8"	18"	67"	4 1/8"	30 7/8"	24" RD. 6 @ 1"	48"	6"	465#	\$1,288
100-BMJ-8-16	8'	16'	108 5/8"	12 5/8"	93 3/8"	18"	71 1/4"	4 1/8"	33 7/8"	24" RD. 6 @ 1"	48"	6"	490#	\$1,308
100-BMJ-10-4	10'	4'	124 7/8"	4 7/8"	117 3/8"	11"	95 1/4"	4 1/8"	17 7/8"	15" SQ. 4 @ 1"	36"	6"	380#	\$1,201
100-BMJ-10-6	10'	6'	124 7/8"	4 7/8"	117 3/8"	11"	95 1/4"	4 1/8"	17 7/8"	15" SQ. 4 @ 1"	36"	6"	395#	\$1,219
100-BMJ-10-8	10'	8'	129 5/8"	9 5/8"	117 3/8"	15"	100"	4 1/8"	24 7/8"	15" SQ. 4 @ 1"	36"	6"	430#	\$1,256
100-BMJ-10-10	10'	10'	129 5/8"	9 5/8"	117 3/8"	15"	100"	4 1/8"	24 7/8"	15" SQ. 4 @ 1"	36"	6"	450#	\$1,277
100-BMJ-10-12	10'	12'	132 5/8"	12 5/8"	117 3/8"	18"	91"	4 1/8"	27 7/8"	24" RD. 6 @ 1"	48"	6"	480#	\$1,320
100-BMJ-10-14	10'	14'	132 5/8"	12 5/8"	117 3/8"	18"	91"	4 1/8"	30 7/8"	24" RD. 6 @ 1"	48"	6"	505#	\$1,344
100-BMJ-10-16	10'	16'	132 5/8"	12 5/8"	117 3/8"	18"	95 1/4"	4 1/8"	33 7/8"	24" RD. 6 @ 1"	48"	6"	525#	\$1,362
100-BMJ-12-4	12'	4'	148 7/8"	4 7/8"	141 3/8"	11"	119 1/4"	4 1/8"	17 7/8"	15" SQ. 4 @ 1"	36"	6"	415#	\$1,256
100-BMJ-12-6	12'	6'	148 7/8"	4 7/8"	141 3/8"	11"	119 1/4"	4 1/8"	17 7/8"	15" SQ. 4 @ 1"	36"	6"	435#	\$1,273
100-BMJ-12-8	12'	8'	153 5/8"	9 5/8"	141 3/8"	15"	124"	4 1/8"	24 7/8"	24" RD. 6 @ 1"	36"	6"	465#	\$1,310
100-BMJ-12-10	12'	10'	153 5/8"	9 5/8"	141 3/8"	15"	124"	4 1/8"	24 7/8"	24" RD. 6 @ 1"	36"	6"	485#	\$1,312
100-BMJ-12-12	12'	12'	156 5/8"	12 5/8"	141 3/8"	18"	115"	4 1/8"	27 7/8"	24" RD. 6 @ 1"	36"	6"	520#	\$1,374
100-BMJ-12-14	12'	14'	156 5/8"	12 5/8"	141 3/8"	18"	115"	4 1/8"	30 7/8"	24" RD. 6 @ 1"	48"	6"	540#	\$1,393
100-BMJ-12-16	12'	16'	156 5/8"	12 5/8"	141 3/8"	18"	119 1/4"	4 1/8"	33 7/8"	24" RD. 6 @ 1"	48"	6"	610#	\$1,540
100-BMJ-14-4	14'	4'	172 7/8"	4 7/8"	165 3/8"	11"	143 1/4"	4 1/8"	17 7/8"	15" SQ. 4 @ 1"	36"	6"	430#	\$1,309
100-BMJ-14-6	14'	6'	172 7/8"	4 7/8"	165 3/8"	11"	143 1/4"	4 1/8"	17 7/8"	15" SQ. 4 @ 1"	36"	6"	450#	\$1,324
100-BMJ-14-8	14'	8'	177 5/8"	9 5/8"	165 3/8"	15"	148"	4 1/8"	24 7/8"	24" RD. 6 @ 1"	36"	6"	480#	\$1,360
100-BMJ-14-10	14'	10'	177 5/8"	9 5/8"	165 3/8"	15"	148"	4 1/8"	24 7/8"	24" RD. 6 @ 1"	36"	6"	500#	\$1,376
100-BMJ-14-12	14'	12'	180 5/8"	12 5/8"	165 3/8"	18"	139"	4 1/8"	27 7/8"	24" RD. 6 @ 1"	36"	6"	540#	\$1,423
100-BMJ-14-14	14'	14'	180 5/8"	12 5/8"	165 3/8"	18"	139"	4 1/8"	30 7/8"	24" RD. 6 @ 1"	48"	6"	560#	\$1,439
100-BMJ-14-16	14'	16'	180 5/8"	12 5/8"	165 3/8"	18"	143 1/4"	4 1/8"	33 7/8"	24" RD. 6 @ 1"	48"	6"	620#	\$1,579

Dimensions are approximate and may change without notice.



STANDARD HOIST TROLLEY IS INCLUDED.

FESTOONING IS ADDITIONAL

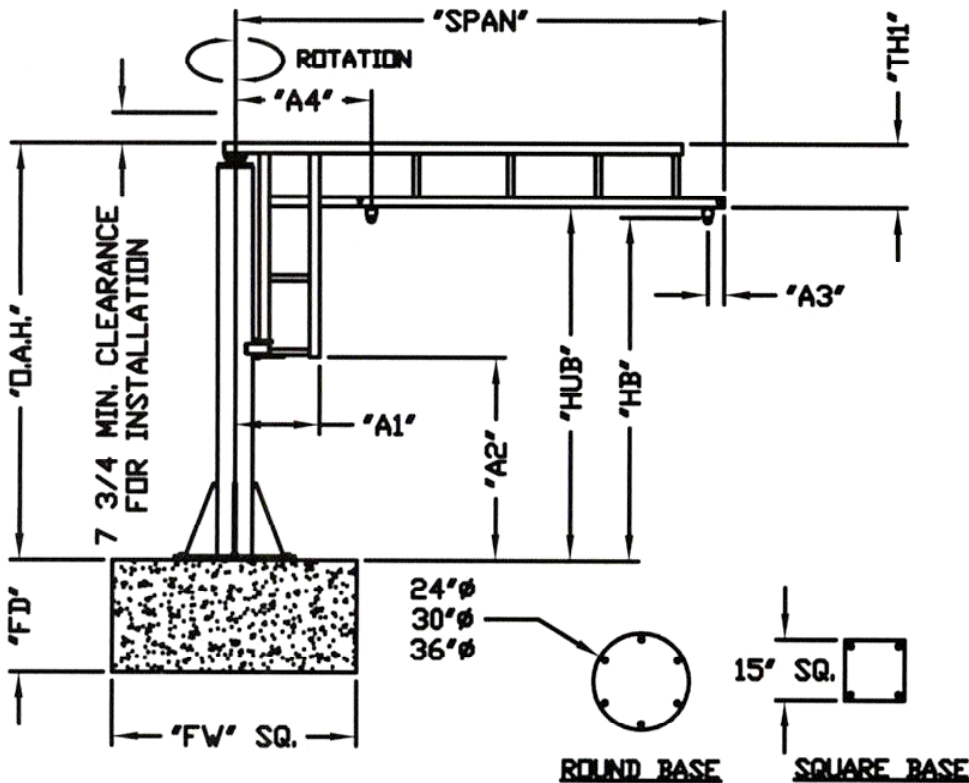
10% CHARGE FOR NON-STANDARD LENGTHS



150# BASE MOUNTED JIB CRANE DIMENSIONS

MODEL NUMBER	HUB (ft.)	SPAN (ft.)	OAH (in.)	TH1 (in.)	HB (in.)	A1 (in.)	A2 (in.)	A3 (in.)	A4 (in.)	BASE PLATE SIZE W/ # & BOLT DIA.	FW (in.)	FD (in.)	WEIGHT (lbs.)	PRICE
150-BMJ-8-4	8'	4'	100 7/8"	4 7/8"	93 3/8"	11"	71 1/4"	4 1/8"	17 7/8"	15" SQ. 4 @ 1"	36"	6"	340#	\$1,149
150-BMJ-8-6	8'	6'	100 7/8"	4 7/8"	93 3/8"	11"	71 1/4"	4 1/8"	17 7/8"	15" SQ. 4 @ 1"	36"	6"	360#	\$1,181
150-BMJ-8-8	8'	8'	105 5/8"	9 5/8"	93 3/8"	15"	76"	4 1/8"	24 7/8"	15" SQ. 4 @ 1"	48"	6"	390#	\$1,201
150-BMJ-8-10	8'	10'	105 5/8"	9 5/8"	93 3/8"	15"	76"	4 1/8"	24 7/8"	15" SQ. 4 @ 1"	48"	6"	410#	\$1,221
150-BMJ-8-12	8'	12'	108 5/8"	12 5/8"	93 3/8"	18"	67"	4 1/8"	27 7/8"	24" RD. 6 @ 1"	48"	6"	445#	\$1,264
150-BMJ-8-14	8'	14'	111 5/8"	15 5/8"	93 3/8"	18"	67"	4 1/8"	30 7/8"	24" RD. 6 @ 1"	48"	6"	510#	\$1,352
150-BMJ-8-16	8'	16'	111 5/8"	15 5/8"	93 3/8"	18"	71 1/4"	4 1/8"	33 7/8"	24" RD. 6 @ 1"	48"	6"	590#	\$1,516
150-BMJ-10-4	10'	4'	124 7/8"	4 7/8"	117 3/8"	11"	95 1/4"	4 1/8"	17 7/8"	15" SQ. 4 @ 1"	36"	6"	380#	\$1,218
150-BMJ-10-6	10'	6'	124 7/8"	4 7/8"	117 3/8"	11"	95 1/4"	4 1/8"	17 7/8"	15" SQ. 4 @ 1"	36"	6"	395#	\$1,235
150-BMJ-10-8	10'	8'	129 5/8"	9 5/8"	117 3/8"	15"	100"	4 1/8"	24 7/8"	15" SQ. 4 @ 1"	48"	6"	430#	\$1,273
150-BMJ-10-10	10'	10'	129 5/8"	9 5/8"	117 3/8"	15"	100"	4 1/8"	24 7/8"	24" RD. 6 @ 1"	48"	6"	450#	\$1,290
150-BMJ-10-12	10'	12'	132 5/8"	12 5/8"	117 3/8"	18"	91"	4 1/8"	27 7/8"	24" RD. 6 @ 1"	48"	6"	490#	\$1,334
150-BMJ-10-14	10'	14'	135 5/8"	15 5/8"	117 3/8"	18"	91"	4 1/8"	30 7/8"	24" RD. 6 @ 1"	48"	6"	550#	\$1,406
150-BMJ-10-16	10'	16'	135 5/8"	15 5/8"	117 3/8"	18"	95 1/4"	4 1/8"	33 7/8"	24" RD. 6 @ 1"	48"	6"	635#	\$1,449
150-BMJ-12-4	12'	4'	148 7/8"	4 7/8"	141 3/8"	11"	119 1/4"	4 1/8"	17 7/8"	15" SQ. 4 @ 1"	36"	6"	415#	\$1,273
150-BMJ-12-6	12'	6'	148 7/8"	4 7/8"	141 3/8"	11"	119 1/4"	4 1/8"	17 7/8"	15" SQ. 4 @ 1"	36"	6"	435#	\$1,288
150-BMJ-12-8	12'	8'	153 5/8"	9 5/8"	141 3/8"	15"	124"	4 1/8"	24 7/8"	24" RD. 6 @ 1"	36"	6"	465#	\$1,325
150-BMJ-12-10	12'	10'	153 5/8"	9 5/8"	141 3/8"	15"	124"	4 1/8"	24 7/8"	24" RD. 6 @ 1"	48"	6"	485#	\$1,347
150-BMJ-12-12	12'	12'	156 5/8"	12 5/8"	141 3/8"	18"	115"	4 1/8"	27 7/8"	24" RD. 6 @ 1"	48"	6"	520#	\$1,391
150-BMJ-12-14	12'	14'	159 5/8"	15 5/8"	141 3/8"	18"	115"	4 1/8"	30 7/8"	24" RD. 6 @ 1"	48"	6"	630#	\$1,588
150-BMJ-12-16	12'	16'	159 5/8"	15 5/8"	141 3/8"	18"	119 1/4"	4 1/8"	33 7/8"	24" RD. 6 @ 1"	48"	6"	680#	\$1,617
150-BMJ-14-4	14'	4'	172 7/8"	4 7/8"	165 3/8"	11"	143 1/4"	4 1/8"	17 7/8"	15" SQ. 4 @ 1"	36"	6"	435#	\$1,332
150-BMJ-14-6	14'	6'	172 7/8"	4 7/8"	165 3/8"	11"	143 1/4"	4 1/8"	17 7/8"	15" SQ. 4 @ 1"	36"	6"	445#	\$1,338
150-BMJ-14-8	14'	8'	177 5/8"	9 5/8"	165 3/8"	15"	148"	4 1/8"	24 7/8"	24" RD. 6 @ 1"	36"	6"	485#	\$1,375
150-BMJ-14-10	14'	10'	177 5/8"	9 5/8"	165 3/8"	15"	148"	4 1/8"	24 7/8"	24" RD. 6 @ 1"	48"	6"	505#	\$1,394
150-BMJ-14-12	14'	12'	180 5/8"	12 5/8"	165 3/8"	18"	139"	4 1/8"	27 7/8"	24" RD. 6 @ 1"	48"	6"	540#	\$1,437
150-BMJ-14-14	14'	14'	183 5/8"	15 5/8"	165 3/8"	18"	139"	4 1/8"	30 7/8"	24" RD. 6 @ 1"	48"	6"	650#	\$1,580
150-BMJ-14-16	14'	16'	183 5/8"	15 5/8"	165 3/8"	18"	143 1/4"	4 1/8"	33 7/8"	24" RD. 6 @ 1"	48"	6"	695#	\$1,655

Dimensions are approximate and may change without notice.



STANDARD HOIST TROLLEY IS INCLUDED.

FESTOONING IS ADDITIONAL

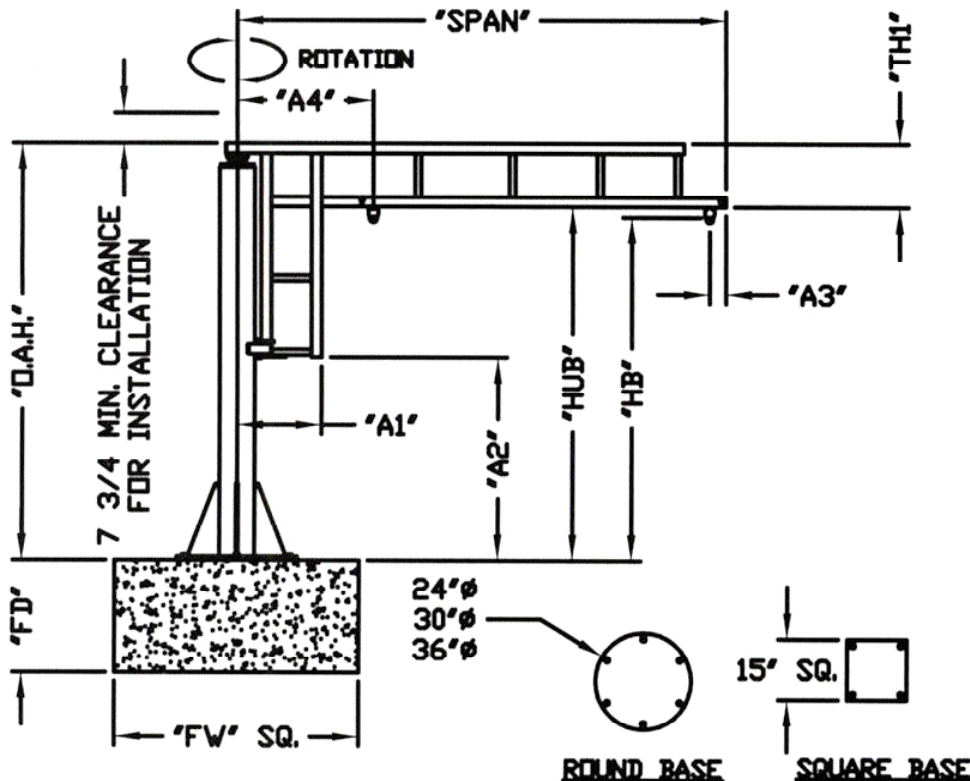
10% CHARGE FOR NON-STANDARD LENGTHS



250# BASE MOUNTED JIB CRANE DIMENSIONS

MODEL NUMBER	HUB (ft.)	SPAN (ft.)	OAH (in.)	TH1 (in.)	HB (in.)	A1 (in.)	A2 (in.)	A3 (in.)	A4 (in.)	BASE PLATE SIZE W/ # & BOLT DIA.	FW (in.)	FD (in.)	WEIGHT (lbs.)	PRICE
250-BMJ-8-4	8'	4'	100 7/8"	4 7/8"	93 3/8"	11"	71 1/4"	4 1/8"	17 7/8"	15" SQ. 4 @ 1"	48"	6"	340#	\$1,273
250-BMJ-8-6	8'	6'	105 5/8"	9 5/8"	93 3/8"	15"	76"	4 1/8"	24 7/8"	15" SQ. 4 @ 1"	48"	6"	370#	\$1,305
250-BMJ-8-8	8'	8'	105 5/8"	9 5/8"	93 3/8"	15"	76"	4 1/8"	24 7/8"	15" SQ. 4 @ 1"	48"	6"	460#	\$1,340
250-BMJ-8-10	8'	10'	108 5/8"	12 5/8"	93 3/8"	18"	67"	4 1/8"	27 7/8"	24" RD. 6 @ 1"	48"	6"	500#	\$1,603
250-BMJ-8-12	8'	12'	111 5/8"	15 5/8"	93 3/8"	21"	57 3/4"	4 1/8"	33 7/8"	24" RD. 6 @ 1"	48"	12"	565#	\$1,632
250-BMJ-8-14	8'	14'	111 5/8"	15 5/8"	93 3/8"	21"	57 3/4"	4 1/8"	33 7/8"	24" RD. 6 @ 1"	48"	12"	615#	\$1,703
250-BMJ-8-16	8'	16'	111 5/8"	15 5/8"	93 3/8"	21"	57 3/4"	4 1/8"	33 7/8"	24" RD. 6 @ 1"	48"	12"	660#	\$1,864
250-BMJ-10-4	10'	4'	124 7/8"	4 7/8"	117 3/8"	11"	95 1/4"	4 1/8"	17 7/8"	15" SQ. 4 @ 1"	48"	6"	380#	\$1,330
250-BMJ-10-6	10'	6'	129 5/8"	9 5/8"	117 3/8"	15"	100"	4 1/8"	24 7/8"	15" SQ. 4 @ 1"	48"	6"	405#	\$1,365
250-BMJ-10-8	10'	8'	129 5/8"	9 5/8"	117 3/8"	15"	100"	4 1/8"	24 7/8"	15" SQ. 4 @ 1"	48"	6"	535#	\$1,489
250-BMJ-10-10	10'	10'	132 5/8"	12 5/8"	117 3/8"	18"	91"	4 1/8"	27 7/8"	24" RD. 6 @ 1"	48"	6"	575#	\$1,651
250-BMJ-10-12	10'	12'	135 5/8"	15 5/8"	117 3/8"	21"	81 3/4"	4 1/8"	33 7/8"	24" RD. 6 @ 1"	48"	12"	610#	\$1,693
250-BMJ-10-14	10'	14'	135 5/8"	15 5/8"	117 3/8"	21"	81 3/4"	4 1/8"	33 7/8"	30" RD. 6 @ 1"	48"	12"	660#	\$1,740
250-BMJ-10-16	10'	16'	135 5/8"	15 5/8"	117 3/8"	21"	81 3/4"	4 1/8"	33 7/8"	30" RD. 6 @ 1"	48"	12"	710#	\$1,779
250-BMJ-12-4	12'	4'	148 7/8"	4 7/8"	141 3/8"	11"	119 1/4"	4 1/8"	17 7/8"	15" SQ. 4 @ 1"	48"	6"	415#	\$1,389
250-BMJ-12-6	12'	6'	153 5/8"	9 5/8"	141 3/8"	15"	124"	4 1/8"	24 7/8"	15" SQ. 4 @ 1"	48"	6"	445#	\$1,424
250-BMJ-12-8	12'	8'	153 5/8"	9 5/8"	141 3/8"	15"	124"	4 1/8"	24 7/8"	24" RD. 6 @ 1"	48"	6"	580#	\$1,571
250-BMJ-12-10	12'	10'	156 5/8"	12 5/8"	141 3/8"	18"	115"	4 1/8"	27 7/8"	24" RD. 6 @ 1"	48"	6"	620#	\$1,772
250-BMJ-12-12	12'	12'	159 5/8"	15 5/8"	141 3/8"	21"	105 3/4"	4 1/8"	33 7/8"	24" RD. 6 @ 1"	48"	8"	650#	\$1,789
250-BMJ-12-14	12'	14'	159 5/8"	15 5/8"	141 3/8"	21"	105 3/4"	4 1/8"	33 7/8"	30" RD. 6 @ 1"	48"	8"	705#	\$1,819
250-BMJ-12-16	12'	16'	159 5/8"	15 5/8"	141 3/8"	21"	105 3/4"	4 1/8"	33 7/8"	30" RD. 6 @ 1"	48"	10"	890#	\$2,108
250-BMJ-14-4	14'	4'	172 7/8"	4 7/8"	165 3/8"	11"	143 1/4"	4 1/8"	17 7/8"	15" SQ. 4 @ 1"	48"	6"	650#	\$1,574
250-BMJ-14-6	14'	6'	177 5/8"	9 5/8"	165 3/8"	15"	148"	4 1/8"	24 7/8"	15" SQ. 4 @ 1"	48"	6"	675#	\$1,609
250-BMJ-14-8	14'	8'	177 5/8"	9 5/8"	165 3/8"	15"	148"	4 1/8"	24 7/8"	30" RD. 6 @ 1"	48"	6"	715#	\$1,748
250-BMJ-14-10	14'	10'	180 5/8"	12 5/8"	165 3/8"	18"	139"	4 1/8"	27 7/8"	30" RD. 6 @ 1"	48"	6"	750#	\$1,944
250-BMJ-14-12	14'	12'	183 5/8"	15 5/8"	165 3/8"	21"	129 3/4"	4 1/8"	33 7/8"	30" RD. 6 @ 1"	48"	6"	785#	\$1,958
250-BMJ-14-14	14'	14'	183 5/8"	15 5/8"	165 3/8"	21"	129 3/4"	4 1/8"	33 7/8"	30" RD. 6 @ 1"	48"	8"	835#	\$1,989
250-BMJ-14-16	14'	16'	183 5/8"	15 5/8"	165 3/8"	21"	129 3/4"	4 1/8"	33 7/8"	30" RD. 6 @ 1"	48"	10"	860#	\$2,108

Dimensions are approximate and may change without notice.



STANDARD HOIST TROLLEY IS INCLUDED.

FESTOONING IS ADDITIONAL

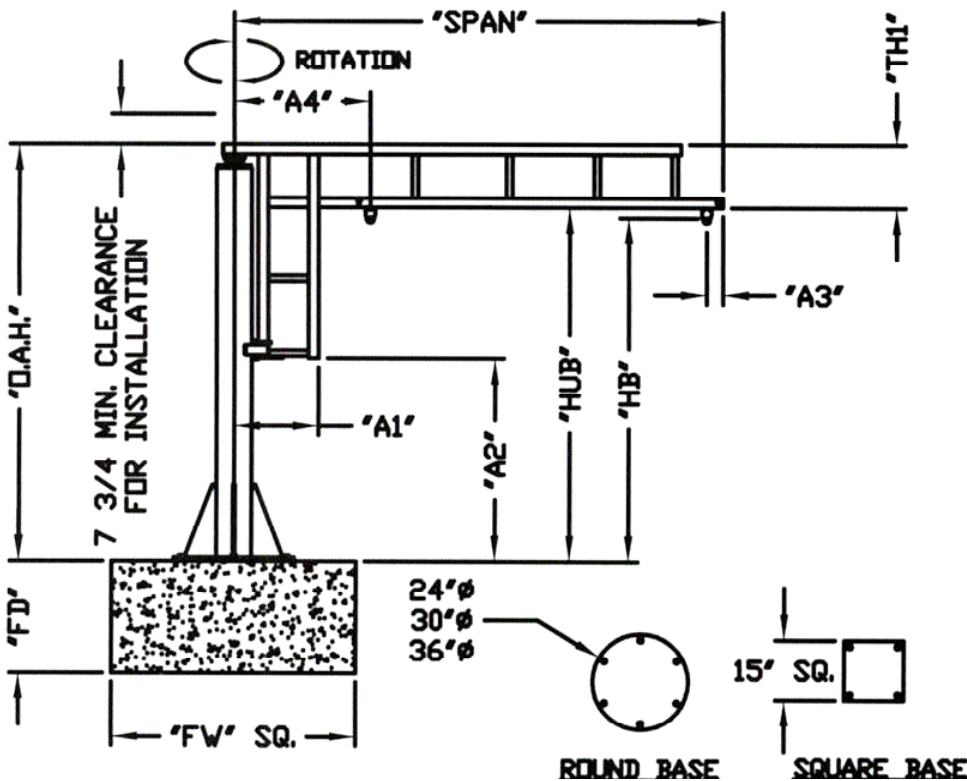
10% CHARGE FOR NON-STANDARD LENGTHS



500# BASE MOUNTED JIB CRANE DIMENSIONS

MODEL NUMBER	HUB (ft.)	SPAN (ft.)	OAH (in.)	TH1 (in.)	HB (in.)	A1 (in.)	A2 (in.)	A3 (in.)	A4 (in.)	BASE PLATE SIZE W/ # & BOLT DIA.	FW (in.)	FD (in.)	WEIGHT (lbs.)	PRICE
500-BMJ-8-4	8'	4'	105"	9"	93 3/8"	15"	75 1/4"	4 1/8"	21 7/8"	24" SQ. 4 @ 1"	48"	8"	380#	\$1,387
500-BMJ-8-6	8'	6'	105"	9"	93 3/8"	15"	75 1/4"	4 1/8"	21 7/8"	24" SQ. 4 @ 1"	48"	8"	405#	\$1,410
500-BMJ-8-8	8'	8'	108"	12"	93 3/8"	18"	66 1/4"	4 1/8"	27 7/8"	24" SQ. 4 @ 1"	48"	10"	520#	\$1,463
500-BMJ-8-10	8'	10'	108"	12"	93 3/8"	18"	66 1/4"	4 1/8"	27 7/8"	24" RD. 6 @ 1"	48"	12"	640#	\$1,881
500-BMJ-8-12	8'	12'	110 1/2"	14 1/2"	93 3/8"	21"	57 3/8"	4 1/8"	33 7/8"	24" RD. 6 @ 1"	48"	18"	675#	\$1,954
500-BMJ-8-14	8'	14'	113 1/2"	17 1/2"	93 3/8"	25 1/2"	60"	4 1/8"	35 3/8"	30" RD. 6 @ 1"	48"	18"	1100#	\$2,429
500-BMJ-8-16	8'	16'	113 1/2"	17 1/2"	93 3/8"	25 1/2"	60"	4 1/8"	35 3/8"	30" RD. 6 @ 1"	48"	24"	1150#	\$2,819
500-BMJ-10-4	10'	4'	129"	9"	117 3/8"	15"	99 1/4"	4 1/8"	21 7/8"	24" SQ. 4 @ 1"	48"	6"	425#	\$1,661
500-BMJ-10-6	10'	6'	129"	9"	117 3/8"	15"	99 1/4"	4 1/8"	21 7/8"	24" SQ. 4 @ 1"	48"	8"	450#	\$1,664
500-BMJ-10-8	10'	8'	132"	12"	117 3/8"	18"	90 1/4"	4 1/8"	27 7/8"	24" SQ. 4 @ 1"	48"	10"	565#	\$1,713
500-BMJ-10-10	10'	10'	132"	12"	117 3/8"	18"	90 1/4"	4 1/8"	27 7/8"	24" RD. 6 @ 1"	48"	12"	710#	\$2,003
500-BMJ-10-12	10'	12'	134 1/2"	14 1/2"	117 3/8"	21"	81 3/8"	4 1/8"	33 7/8"	24" RD. 6 @ 1"	48"	18"	745#	\$2,068
500-BMJ-10-14	10'	14'	137 1/2"	17 1/2"	117 3/8"	25 1/2"	84"	4 1/8"	35 3/8"	30" RD. 6 @ 1"	48"	18"	1175#	\$2,695
500-BMJ-10-16	10'	16'	137 1/2"	17 1/2"	117 3/8"	25 1/2"	84"	4 1/8"	35 3/8"	30" RD. 6 @ 1"	48"	24"	1225#	\$2,994
500-BMJ-12-4	12'	4'	153"	9"	141 3/8"	15"	123 1/4"	4 1/8"	21 7/8"	24" SQ. 4 @ 1"	48"	6"	470#	\$1,920
500-BMJ-12-6	12'	6'	153"	9"	141 3/8"	15"	123 1/4"	4 1/8"	21 7/8"	24" SQ. 4 @ 1"	48"	8"	495#	\$1,947
500-BMJ-12-8	12'	8'	156 "	12"	141 3/8"	18"	114 1/4"	4 1/8"	27 7/8"	24" RD. 6 @ 1"	48"	10"	750#	\$2,085
500-BMJ-12-10	12'	10'	156 "	12"	141 3/8"	18"	114 1/4"	4 1/8"	27 7/8"	24" RD. 6 @ 1"	48"	12"	775#	\$2,114
500-BMJ-12-12	12'	12'	158 1/2"	14 1/2"	141 3/8"	21"	105 3/8"	4 1/8"	33 7/8"	30" RD. 6 @ 1"	48"	18"	810#	\$2,183
500-BMJ-12-14	12'	14'	161 1/2"	17 1/2"	141 3/8"	25 1/2"	108"	4 1/8"	35 3/8"	30" RD. 6 @ 1"	48"	18"	1275#	\$3,125
500-BMJ-12-16	12'	16'	161 1/2"	17 1/2"	141 3/8"	25 1/2"	108"	4 1/8"	35 3/8"	30" RD. 6 @ 1"	48"	24"	1330#	\$3,247
500-BMJ-14-4	14'	4'	177 "	9"	165 3/8"	15"	147 1/4"	4 1/8"	21 7/8"	24" SQ. 4 @ 1"	48"	6"	890#	\$2,177
500-BMJ-14-6	14'	6'	177 "	9"	165 3/8"	15"	147 1/4"	4 1/8"	21 7/8"	24" SQ. 4 @ 1"	48"	6"	915#	\$2,240
500-BMJ-14-8	14'	8'	180 "	12"	165 3/8"	18"	128 1/4"	4 1/8"	27 7/8"	30" RD. 6 @ 1"	48"	8"	935#	\$2,292
500-BMJ-14-10	14'	10'	180 "	12"	165 3/8"	18"	128 1/4"	4 1/8"	27 7/8"	30" RD. 6 @ 1"	48"	12"	950#	\$2,332
500-BMJ-14-12	14'	12'	182 1/2"	14 1/2"	165 3/8"	21"	129 3/8"	4 1/8"	33 7/8"	30" RD. 6 @ 1"	48"	18"	980#	\$2,389
500-BMJ-14-14	14'	14'	185 1/2"	17 1/2"	165 3/8"	25 1/2"	132"	4 1/8"	35 3/8"	30" RD. 6 @ 1"	48"	18"	1360#	\$3,327
500-BMJ-14-16	14'	16'	185 1/2"	17 1/2"	165 3/8"	25 1/2"	132"	4 1/8"	35 3/8"	30" RD. 6 @ 1"	48"	24"	1410#	\$3,450

Dimensions are approximate and may change without notice.



STANDARD HOIST TROLLEY IS INCLUDED.

FESTOONING IS ADDITIONAL

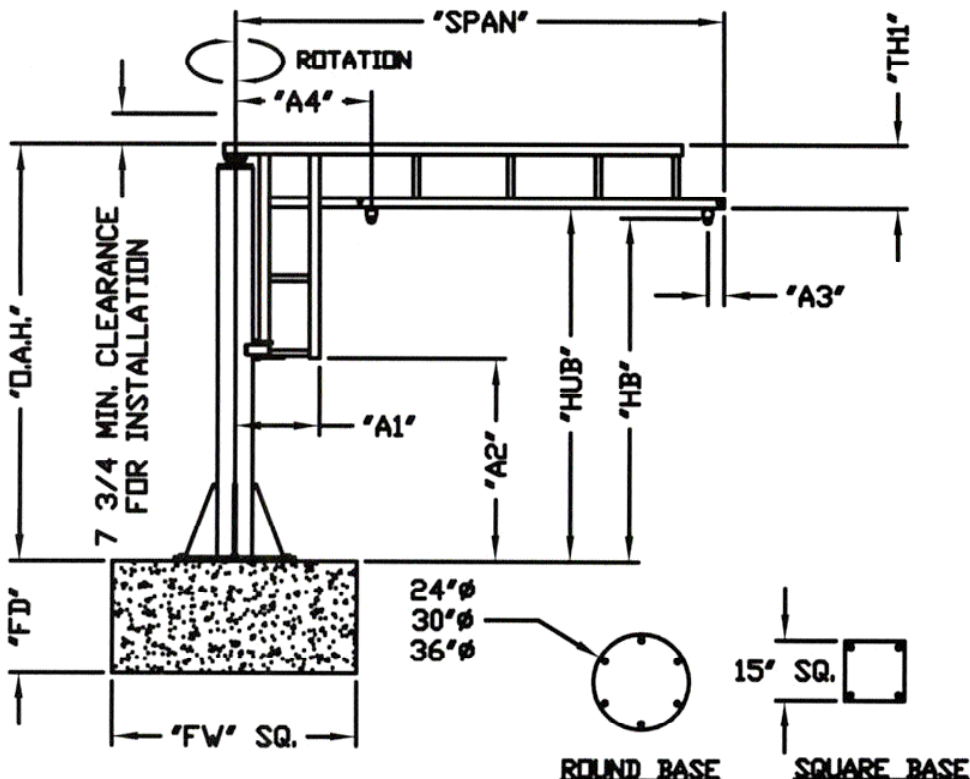
10% CHARGE FOR NON-STANDARD LENGTHS



1000# BASE MOUNTED JIB CRANE DIMENSIONS

MODEL NUMBER	HUB (ft.)	SPAN (ft.)	OAH (in.)	TH1 (in.)	HB (in.)	A1 (in.)	A2 (in.)	A3 (in.)	A4 (in.)	BASE PLATE SIZE W/ # & BOLT DIA.	FW (in.)	FD (in.)	WEIGHT (lbs.)	PRICE
1000-BMJ-8-4	8'	4'	105"	9"	92 13/16"	15"	75 3/8"	4 7/8"	22 3/8"	30" RD. 6 @ 1"	48"	10"	560#	\$1,819
1000-BMJ-8-6	8'	6'	105"	9"	92 13/16"	15"	75 3/8"	4 7/8"	22 3/8"	30" RD. 6 @ 1"	48"	18"	585#	\$1,838
1000-BMJ-8-8	8'	8'	108"	12"	92 13/16"	18"	66 1/8"	4 7/8"	28 3/8"	30" RD. 6 @ 1"	48"	24"	630#	\$1,902
1000-BMJ-8-10	8'	10'	113"	17"	92 13/16"	25"	59 1/8"	4 7/8"	35 3/8"	36" RD. 12 @ 1"	48"	24"	705#	\$1,972
1000-BMJ-8-12	8'	12'	113"	17"	92 13/16"	25"	59 1/8"	4 7/8"	35 3/8"	36" RD. 12 @ 1"	48"	30"	730#	\$2,018
1000-BMJ-8-14	8'	14'	113 5/8"	17 5/8"	92 13/16"	26"	48 7/8"	4 7/8"	39 3/8"	36" RD. 12 @ 1"	48"	36"	1265#	\$3,092
1000-BMJ-8-16	8'	16'	114 1/8"	18 1/8"	92 13/16"	26"	48 7/8"	4 7/8"	39 3/8"	36" RD. 12 @ 1"	48"	36"	1330#	\$3,257
1000-BMJ-10-4	10'	4'	129"	9"	116 13/16"	15"	99 3/8"	4 7/8"	22 3/8"	30" RD. 6 @ 1"	48"	10"	620#	\$1,925
1000-BMJ-10-6	10'	6'	129"	9"	116 13/16"	15"	99 3/8"	4 7/8"	22 3/8"	30" RD. 6 @ 1"	48"	18"	655#	\$1,954
1000-BMJ-10-8	10'	8'	132"	12"	116 13/16"	18"	90 1/8"	4 7/8"	28 3/8"	30" RD. 6 @ 1"	48"	24"	700#	\$2,016
1000-BMJ-10-10	10'	10'	137"	17"	116 13/16"	25"	83 1/8"	4 7/8"	35 3/8"	36" RD. 12 @ 1"	48"	24"	770#	\$2,085
1000-BMJ-10-12	10'	12'	137"	17"	116 13/16"	25"	83 1/8"	4 7/8"	35 3/8"	36" RD. 12 @ 1"	48"	30"	795#	\$2,136
1000-BMJ-10-14	10'	14'	137 5/8"	17 5/8"	116 13/16"	26"	72 7/8"	4 7/8"	39 3/8"	36" RD. 12 @ 1"	48"	36"	1335#	\$3,269
1000-BMJ-10-16	10'	16'	138 1/8"	18 1/8"	116 13/16"	26"	72 7/8"	4 7/8"	39 3/8"	36" RD. 12 @ 1"	48"	36"	1405#	\$3,433
1000-BMJ-12-4	12'	4'	153"	9"	140 13/16"	15"	123 3/8"	4 7/8"	22 3/8"	30" RD. 6 @ 1"	48"	12"	690#	\$2,042
1000-BMJ-12-6	12'	6'	153"	9"	140 13/16"	15"	123 3/8"	4 7/8"	22 3/8"	30" RD. 6 @ 1"	48"	18"	720#	\$2,068
1000-BMJ-12-8	12'	8'	156 "	12"	140 13/16"	18"	114 1/8"	4 7/8"	28 3/8"	30" RD. 6 @ 1"	48"	24"	765#	\$2,130
1000-BMJ-12-10	12'	10'	161 "	17"	140 13/16"	25"	107 1/8"	4 7/8"	35 3/8"	36" RD. 12 @ 1"	48"	24"	835#	\$2,198
1000-BMJ-12-12	12'	12'	161"	17"	140 13/16"	25"	107 1/8"	4 7/8"	35 3/8"	36" RD. 12 @ 1"	48"	30"	865#	\$2,248
1000-BMJ-12-14	12'	14'	161 5/8"	17 5/8"	140 13/16"	26"	96 7/8"	4 7/8"	39 3/8"	36" RD. 12 @ 1"	48"	36"	1440#	\$3,522
1000-BMJ-12-16	12'	16'	161 1/8"	18 1/8"	140 13/16"	26"	96 7/8"	4 7/8"	39 3/8"	36" RD. 12 @ 1"	48"	36"	1510#	\$3,686
1000-BMJ-14-4	14'	4'	177 "	9"	164 13/16"	15"	147 3/8"	4 7/8"	22 3/8"	30" RD. 6 @ 1"	48"	12"	1240#	\$3,041
1000-BMJ-14-6	14'	6'	177 "	9"	164 13/16"	15"	147 3/8"	4 7/8"	22 3/8"	30" RD. 6 @ 1"	48"	18"	1255#	\$3,063
1000-BMJ-14-8	14'	8'	180 "	12"	164 13/16"	18"	138 1/8"	4 7/8"	28 3/8"	30" RD. 6 @ 1"	48"	24"	1280#	\$3,127
1000-BMJ-14-10	14'	10'	185 "	17"	164 13/16"	25"	131 1/8"	4 7/8"	35 3/8"	36" RD. 12 @ 1"	48"	24"	1305#	\$3,195
1000-BMJ-14-12	14'	12'	185"	17"	164 13/16"	25"	131 1/8"	4 7/8"	35 3/8"	36" RD. 12 @ 1"	48"	30"	1325#	\$3,240
1000-BMJ-14-14	14'	14'	185 5/8"	17 5/8"	164 13/16"	26"	120 7/8"	4 7/8"	39 3/8"	36" RD. 12 @ 1"	48"	30"	1520#	\$3,723
1000-BMJ-14-16	14'	16'	186 1/8"	18 1/8"	164 13/16"	26"	120 7/8"	4 7/8"	39 3/8"	36" RD. 12 @ 1"	48"	36"	1590#	\$3,889

Dimensions are approximate and may change without notice.



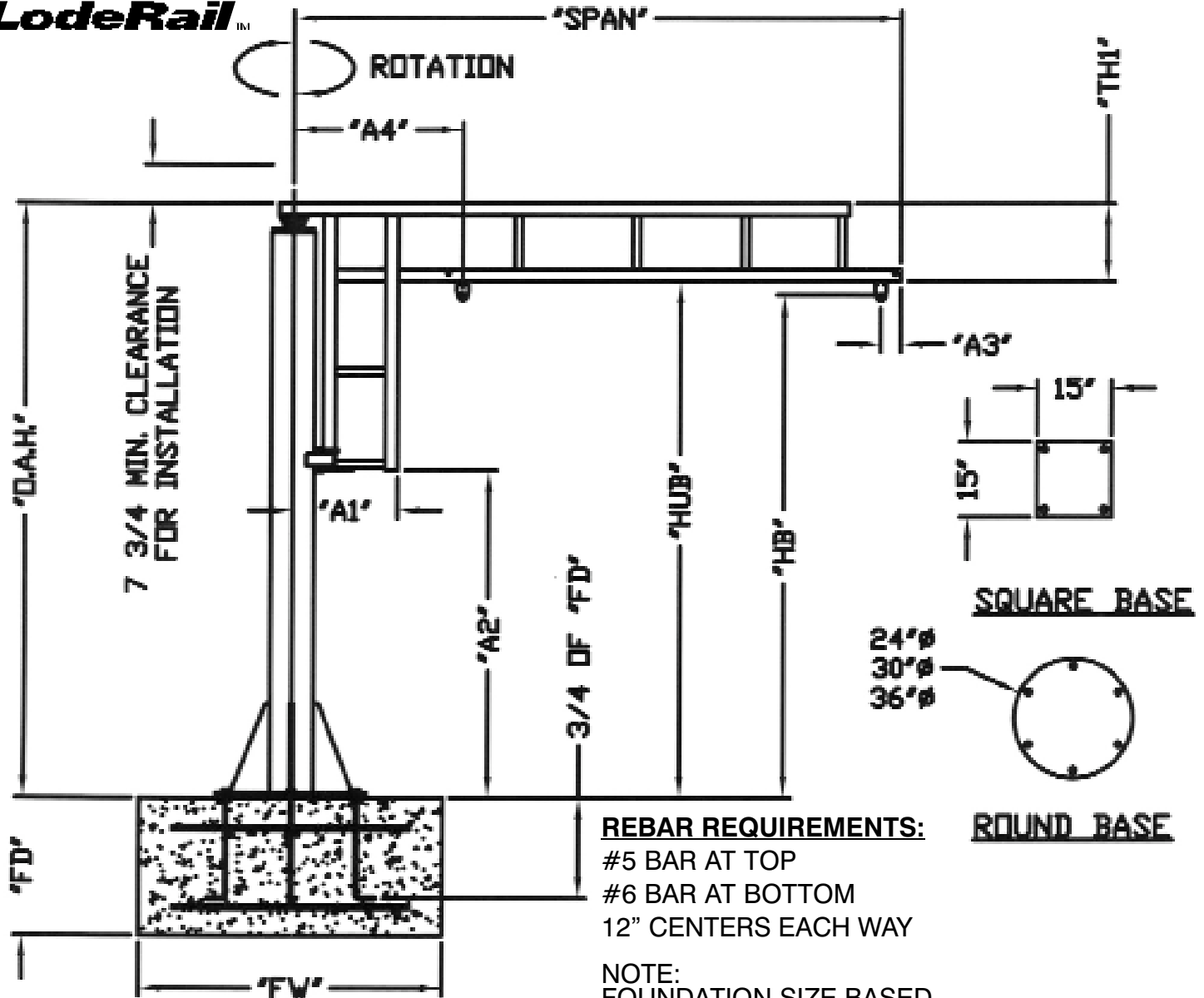
STANDARD HOIST TROLLEY IS INCLUDED.

FESTOONING IS ADDITIONAL

10% CHARGE FOR NON-STANDARD LENGTHS

FREE STANDING JIB CRANE

LodeRail™



REBAR REQUIREMENTS:

- #5 BAR AT TOP
- #6 BAR AT BOTTOM
- 12" CENTERS EACH WAY

NOTE:
FOUNDATION SIZE BASED
ON 2500# PER SQ. FOOT

CAPACITY: _____
 MODEL NO.: _____
 WEIGHT: _____
 SPAN: _____
 ROTATION: _____
 O.A.H.: _____
 FW: _____

HUB: _____
 HB: _____
 A3: _____
 TH1: _____
 TH5: _____
 FD: _____

JIB INCLUDES

- > JIB "ARM"
- > PEDESTAL W/MOUNT BASE
- > HOIST TROLLEY END STOPS
- > HOIST TROLLEY FOR HOOK SUSPENDED HOIST

CUSTOMER: _____
 ADDRESS: _____

